

Nova

Downlight



Nova, a round shaped LED downlight made of aluminum die cast with high quality powder coated luminaire housing and optimum heat sink. The specular darklight reflector in this store light allows outstanding visual comfort to the visitors so that they are able to explore the merchandise at ease.

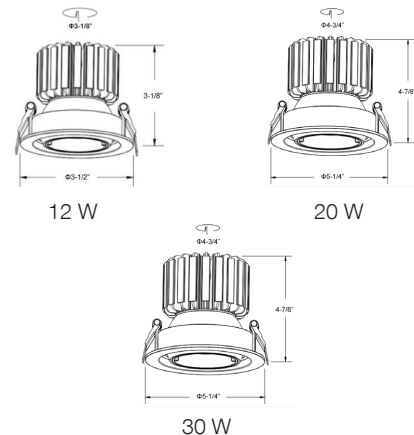
Model/Colors | Available In White.

Application Areas | Guest Room, Corridor, Restaurant, Meeting Room
Club, Hall, Hotel Entrance

TECHNICAL PARAMETERS

Voltage	100 - 277 V AC, 50-60 Hz
Light Source	Osram SOLERIQ S 19
Operating Position	Swiveling Type, 360D
Start Time	Instant
Driver	Stand Alone (included)
Optics	Darklight Technology Black, Silver
Dimming	On-Off / Triac / 0-10 V

Spot		Medium		Flood	
	15°		24°		36°
ft	Ø	ft	Ø	ft	Ø
3.0	0.72	3.0	1.41	3.0	2.03
9.0	2.15	9.0	4.22	9.0	6.09
15.0	3.58	15.0	7.04	15.0	10.15



CRI	Power (W)	CCT (K)	Total Lumen Output (lm)	Beam Spread (Options)	Finish
>90	12 W / 20 W / 30 W	2700 K	1440 / 2400 / 3600	15° / 24° / 36°	White
>90	12 W / 20 W / 30 W	3000 K	1520 / 2530 / 3800	15° / 24° / 36°	White
>90	12 W / 20 W / 30 W	4000 K	1600 / 2660 / 4000	15° / 24° / 36°	White
>90	12 W / 20 W / 30 W	5000 K	1680 / 2800 / 4200	15° / 24° / 36°	White

Note

1. Product available in other Kelvin temperatures on request.
2. Black/White inner ring -IP44 type available, add extra cost.
3. 30 W have Energy star type option, adding extra cost.