

Odin

Downlight



Create the desired lighting effect in your stores with IKIO's Odin, a twin square LED downlight made of aluminum die cast with high quality powder coated luminaire housing and optimum heat sink. These properties of the luminaire contribute to its effective functioning for a longer time period. Moreover, available in multiple wattages, color temperatures, finishes, and beam angles, this luminaire offers greater flexibility in its application.

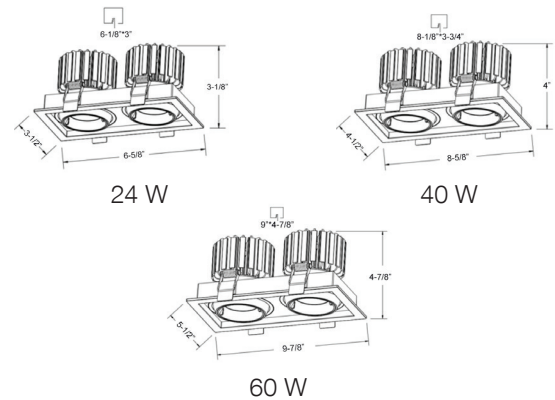
Spot		Medium		Flood	
	15°		24°		36°
ft	ø	ft	ø	ft	ø
3.0	0.72	3.0	1.41	3.0	2.03
9.0	2.15	9.0	4.22	9.0	6.09
15.0	3.58	15.0	7.04	15.0	10.15

Model/Colors | Available in White.

Application Areas | Guest Room, Corridor, Restaurant, Meeting Room
Club, Hall, Hotel Entrance

TECHNICAL PARAMETERS

Voltage	100 - 277 V AC, 50-60 Hz
Light Source	Osram SOLERIQ S 19
Operating Position	Swiveling Type, 360D
Start Time	Instant
Driver	Stand Alone (included)
Optics	Darklight Technology Black, Silver
Dimming	On-Off / Triac / 0-10 V



CRI	Power (W)	CCT (K)	Total Lumen Output (lm)	Beam Spread (Options)	Finish
>90	24 W / 40 W / 60 W	2700 K	2880 / 4800 / 7200	15° / 24° / 36°	White
>90	24 W / 40 W / 60 W	3000 K	3030 / 5050 / 7580	15° / 24° / 36°	White
>90	24 W / 40 W / 60 W	4000 K	3190 / 5320 / 7980	15° / 24° / 36°	White
>90	24 W / 40 W / 60 W	5000 K	3360 / 5600 / 8400	15° / 24° / 36°	White

Note

1. Product available in other Kelvin temperatures on request.