

# Scint

## Downlight



Square in design, Scint LED downlight is made up of aluminum die cast with high quality powder coated luminaire housing and optimum heat sink. Available in multiple wattages and beam angle, the luminaire renders greater flexibility in its application for store lighting. Moreover, the specular darklight reflector in this store light allows outstanding visual comfort to the visitors.

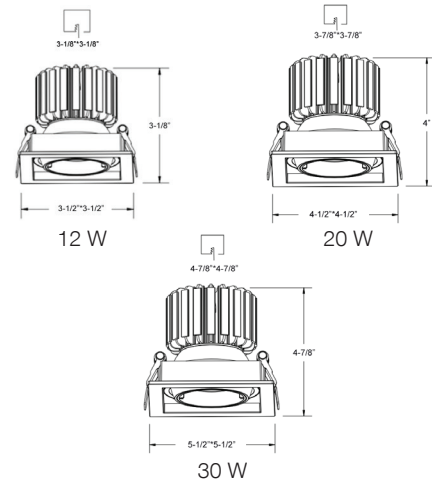
**Model/Colors** | Available in White

**Application Areas** | Guest Room, Corridor, Restaurant, Meeting Room  
Club, Hall, Hotel Entrance

### TECHNICAL PARAMETERS

<b>Voltage</b>	100 - 277 V AC, 50-60 Hz
<b>Light Source</b>	Osram SOLERIQ S 19
<b>Operating Position</b>	Swiveling Type, 360D
<b>Start Time</b>	Instant
<b>Driver</b>	Stand Alone (included)
<b>Optics</b>	Darklight Technology Black, Silver
<b>Dimming</b>	On-Off / Triac / 0-10 V

Spot		Medium		Flood	
	15°		24°		38°
ft	Ø	ft	Ø	ft	Ø
3.0	0.72	3.0	1.41	3.0	2.03
9.0	2.15	9.0	4.22	9.0	6.09
15.0	3.58	15.0	7.04	15.0	10.15



CRI	Power (W)	CCT (K)	Total Lumen Output (lm)	Beam Spread (Options)	Finish
>90	12 W / 20 W / 30 W	2700 K	1440 / 2400 / 3600	15° / 24° / 36°	White
>90	12 W / 20 W / 30 W	3000 K	1516 / 2520 / 3790	15° / 24° / 36°	White
>90	12 W / 20 W / 30 W	4000 K	1600 / 2660 / 4000	15° / 24° / 36°	White
>90	12 W / 20 W / 30 W	5000 K	1680 / 2800 / 4200	15° / 24° / 36°	White

### Note

1. Product available in other Kelvin temperatures on request.