

# Rimin

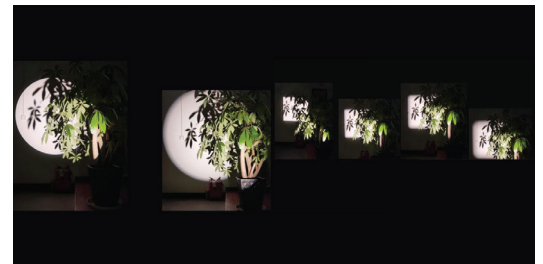
## Projector Light



Rimin Projector Light is a versatile lighting solution designed for adaptability, aesthetics, and dynamic projection capabilities. It is 15° to 60° adjustable, which empowers you with tailored, precise illumination. In addition, the projection can be done in various shapes, such as round and square, allowing you to effortlessly create captivating visual displays.

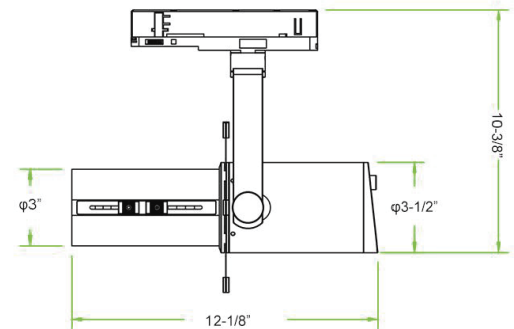
**Model/Colors** | Available in Black.

**Application Areas** | Projector Light for Indoor Applications.



### TECHNICAL PARAMETERS

<b>Voltage</b>	100 - 277 V AC, 50-60 Hz
<b>Light Source</b>	Osram SOLERIQ S 19
<b>Operating Position</b>	Swiveling Type
<b>Start Time</b>	Instant
<b>Driver</b>	Stand Alone (Included)
<b>Shapes</b>	Comes in Narrow, Wide, Round, Square, and Other Shapes
<b>Dimming</b>	Triac Dimming, Local Dimming



CRI	Power (W)	CCT (K)	Total Lumen Output (lm)	Beam Spread (Options)	Finish
>90	20 W / 30 W	2700 K	2800 / 4200	15° to 60° Adjustable	Black
>90	20 W / 30 W	3000 K	2900 / 4350	15° to 60° Adjustable	Black
>90	20 W / 30 W	4000 K	3000 / 4400	15° to 60° Adjustable	Black
>90	20 W / 30 W	5000 K	3100 / 4550	15° to 60° Adjustable	Black

#### Note

1. Product available in other Kelvin temperatures on request.
2. Ra>97 can be made at extra cost.