

Bolide

Track Light



Bolide is a technologically advanced LED track light with incorporated electronic gear and chip on board. It also has a high-quality reflector with three different beam spreads. Moreover, the lamp housing of die-cast aluminum for optimal cooling allows the fixture to last longer than its traditional counterparts.

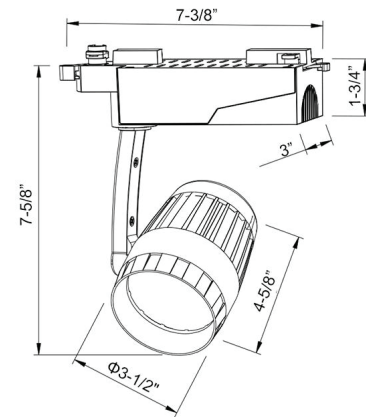
Model/Colors | Available in White & Black.

Application Areas | Track Light For Indoor Applications.
Looks small and elegant, more suitable for ladies & kids' clothes shops

TECHNICAL PARAMETERS

Voltage	100 - 277 V AC, 50-60 Hz
Light Source	Osram SOLERIQ S 19
Operating Position	Swiveling Type
Start Time	Instant
Driver	Stand Alone (included)
Beam Spread	Spot, Medium, Flood, Wide Flood
Dimming	Triac Dimming

Spot		Medium		Flood		Wide Flood	
15°		25°		36°		60°	
ft	ø	ft	ø	ft	ø	ft	ø
3.0	0.72	3.0	1.41	3.0	2.03	3.0	3.15
9.0	2.15	9.0	4.22	9.0	6.09	9.0	9.45
15.0	3.58	15.0	7.04	15.0	10.15	15.0	15.75



CRI	Power (W)	CCT (K)	Total Lumen Output (lm)	Beam Spread (Options)	Finish
>90	30 W	2700 K	4200	15° / 25° / 36° / 60°	White / Black
>90	30 W	3000 K	4350	15° / 25° / 36° / 60°	White / Black
>90	30 W	4000 K	4450	15° / 25° / 36° / 60°	White / Black
>90	30 W	5000 K	4550	15° / 25° / 36° / 60°	White / Black

Note

1. Product available in other Kelvin temperatures on request.