

Optik

Track Light



Optik is a technologically advanced LED track light with incorporated electronic gear and chip on board. It also has a high-quality reflector with three different beam spreads. Moreover, the lamp housing of die-cast aluminum for optimal cooling allows the fixture to last longer than its traditional counterparts.

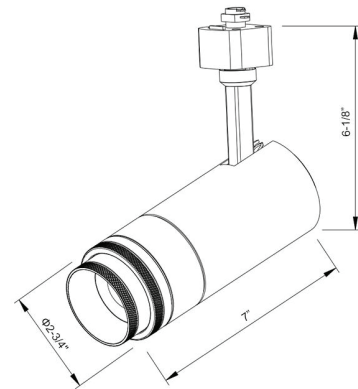
Model/Colors | Available in White & Black.

Application Areas | Track Light For Indoor Applications.

Spot		Medium		Flood		Wide Flood	
15°		24°		36°		60°	
ft	ø	ft	ø	ft	ø	ft	ø
3.0	0.72	3.0	1.41	3.0	2.03	3.0	3.15
9.0	2.15	9.0	4.22	9.0	6.09	9.0	9.45
15.0	3.58	15.0	7.04	15.0	10.15	15.0	15.75

TECHNICAL PARAMETERS

Voltage	100 - 277 V AC, 50-60 Hz
Light Source	Osram SOLERIQ S 19
Operating Position	Swiveling Type
Start Time	Instant
Driver	Stand Alone (included)
Beam Spread	Spot, Medium, Flood, Wide Flood (Adjustable)
Dimming	Triac Dimming



CRI	Power (W)	CCT (K)	Total Lumen Output (lm)	Beam Spread (Options)	Finish
>90	15 W / 20 W	2700 K	2100 / 2800	15° to 60° Adjustable	White / Black
>90	15 W / 20 W	3000 K	2250 / 2900	15° to 60° Adjustable	White / Black
>90	15 W / 20 W	4000 K	2350 / 3000	15° to 60° Adjustable	White / Black
>90	15 W / 20 W	5000 K	2500 / 3100	15° to 60° Adjustable	White / Black

Note

1. Product available in other Kelvin temperatures on request.
2. Ra>97 can be made at extra cost.