

Prime

Track Light



Prime is a technologically advanced LED track light with incorporated electronic gear and chip on board. It also has a high-quality reflector with three different beam spreads. Moreover, the lamp housing of die-cast aluminum for optimal cooling allows the fixture to last longer than its traditional counterparts.

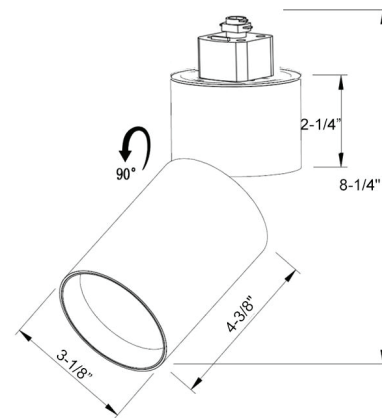
Model/Colors | Available in White & Black.

Application Areas | Track Light For Indoor Applications.

Spot		Medium		Flood	
	11°		24°		36°
ft	ø	ft	ø	ft	ø
3.0	0.72	3.0	1.41	3.0	2.03
9.0	2.15	9.0	4.22	9.0	6.09
15.0	3.58	15.0	7.04	15.0	10.15

TECHNICAL PARAMETERS

Voltage	100 - 277 V AC, 50-60 Hz
Light Source	Osram SOLERIQ S 19
Operating Position	Swiveling Type
Start Time	Instant
Driver	Stand Alone (included)
Beam Spread	Spot, Medium, Flood
Dimming	Triac Dimming



CRI	Power (W)	CCT (K)	Total Lumen Output (lm)	Beam Spread (Options)	Finish
>90	20 W	2700 K	2800	11° / 24° / 36°	White / Black
>90	20 W	3000 K	2900	11° / 24° / 36°	White / Black
>90	20 W	4000 K	3000	11° / 24° / 36°	White / Black
>90	20 W	5000 K	3100	11° / 24° / 36°	White / Black

Note

1. Product available in other Kelvin temperatures on request.